

Job Name/Location:

Tag #:

Date:

For: File Resubmit
Approval Other_____

PO No.:

Architect: GC:

Engr: Mech:

Rep:

(Company)

(Project Manager)

LHN248HV4

Multi F Ceiling-Concealed High-Static Duct

24,000 Btu/h Indoor Unit



Performance:

Nominal Cooling Capacity (Btu/h)	24,000
Nominal Heating Capacity (Btu/h)	27,000

Cooling Nominal Test Conditions:

Indoor: 80°F DB / 67°F WB
Outdoor: 95°F DB / 75°F WB

Heating Nominal Test Conditions:

Indoor: 70°F DB / 60°F WB
Outdoor: 47°F DB / 43°F WB

Electrical:

Power Supply (V/Hz/Ø)	208-230/60/1
Rated Amps (A)	1.6

Piping:

Installed Liquid Pipe (in., O.D.)	ø1/4
Installed Vapor Pipe (in., O.D.)	ø1/2
Liquid Connection (in., O.D.)	ø3/8
Vapor Connection (in., O.D.)	ø5/8
Drain (in., O.D. / I.D.)	1-1/4, 1
Temperature Sensor	Thermistor

Controls Features:

- Inverter (Variable Speed Fan)
- Internal Condensate Pump
- ESP Control
- Hot Start
- Auto Restart
- Child Lock
- Group Control
- Sleep Mode
- Timer On / Off
- Controller Sold Separately

Optional Accessories:

- Simple Remote Controller - PREMT00U
- MultiSITE™ CRC1 Controller - PREMTBVC0
- MultiSITE™ CRC1+ Controller - PREMTBVC1
- Premium Remote Controller - PREMTA000
- Wireless Handheld Remote Controller - PQWRHQ0FDB²
- AC Smart 5 - PACS5A000
- ACP 5 - PACP5A000
- LonWorks Gateway - PLNWKB100
- AC Smart IV BACnet - PBACNA000
- ACP IV BACnet Gateway - PQNFB17C2
- Dry Contact (1 contact, 24 VAC external power) - PDRYCB100
- Dry Contact for Third Party Thermostat - PDRYCB300
- Dry Contact for (2 setpoints) - PDRYCB400
- Remote Temperature Button Sensor - ZRTBS01
- Aux Heater Relay Kit - PRARH1
- Wi-Fi Module - PWFMD200
- RS3 Remote Controller- PREMTB100

Entering Mixed Air:

Cooling (°F WB)	57 ~ 77
Heating (°F DB)	59 ~ 81

Unit Data:

Refrigerant Type	R410A
Refrigerant Control	EEV
Sound Pressure (H/M/L) dB(A) ³	37 / 35 / 34
Filter Type	Washable
Net Weight (lbs.)	58.6
Shipping Weight (lbs.)	71.9

Fan:

Type	Sirocco
Quantity	1
Motor/Drive	Brushless Digitally Controlled/Direct
Air Flow H/M/L (CFM)	777 / 706 / 636
Default External Static Pressure ⁴ (in wg)	0.24
Maximum External Static Pressure	0.59

Notes:

1. Acceptable operating voltage: 187V-253V.
2. Wireless handheld remote controller requires an LG wired thermostat.
3. Sound Pressure levels are tested in an anechoic chamber under ISO Standard 3745.
4. Adjust fan speed to correct for static pressure increases when using field-supplied air filter.
5. See Engineering Manual for sensible and latent capacities.
6. All communication / connection (power) cable from the outdoor unit to the indoor unit is field supplied and must be a minimum of four-conductor, 14 AWG, stranded, shielded or unshielded (if shielded, it must be grounded to the chassis of the outdoor unit only), and must comply with applicable local and national codes.
7. Power wiring cable size must comply with the applicable local and national code.
8. The indoor unit comes with a dry helium charge.
9. Corresponding refrigerant piping length is in accordance with standard length of each outdoor unit and the level difference is 0 ft. All capacities are net with a combination ratio between 95 - 105%.
10. Must follow installation instructions in the applicable LG installation manual.
11. Controller not included.

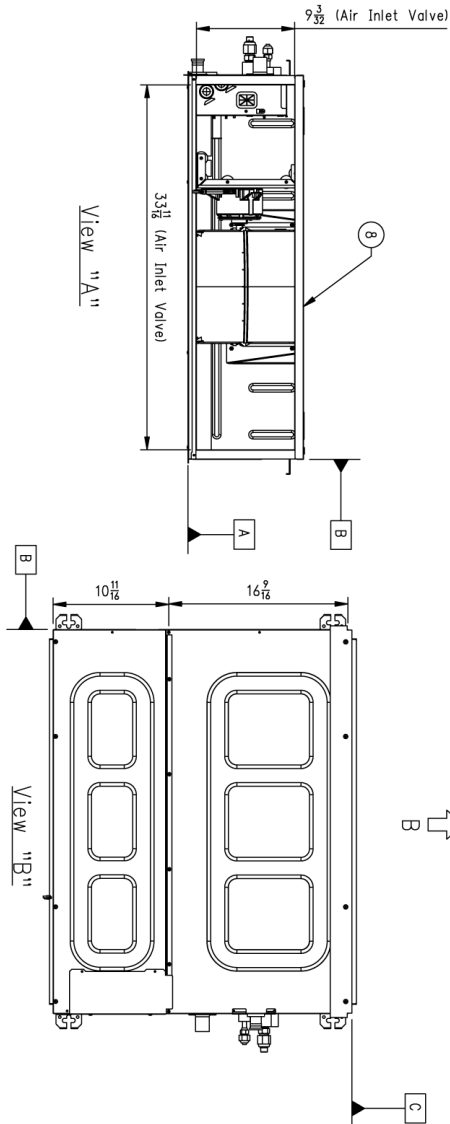
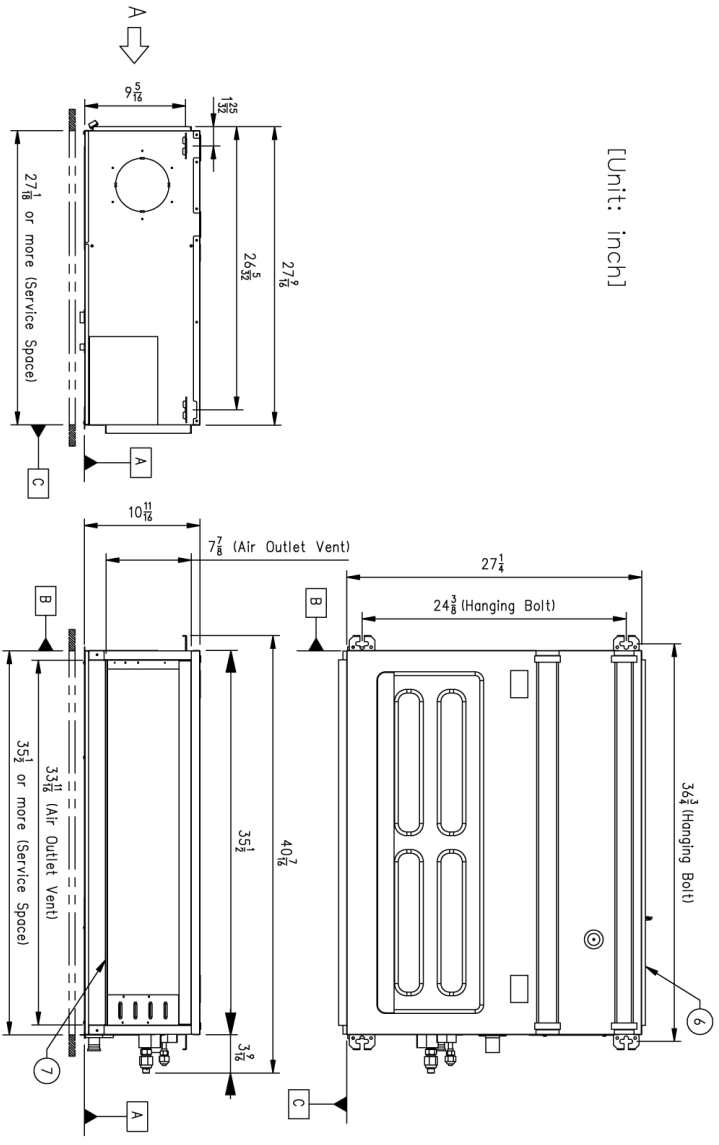


LHN248HV4
Multi F Ceiling-Concealed High-Static Duct
 24,000 Btu/h Indoor Unit



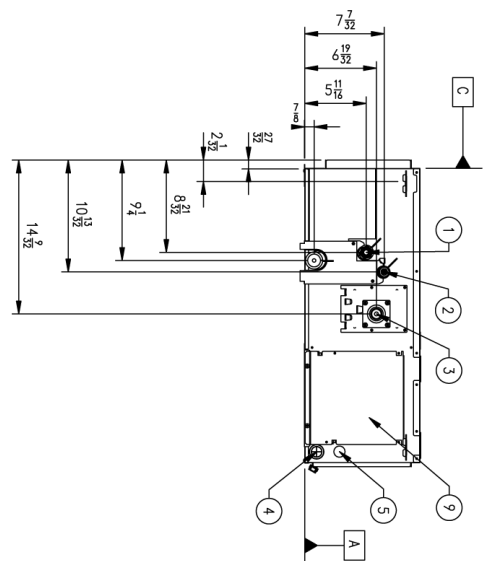
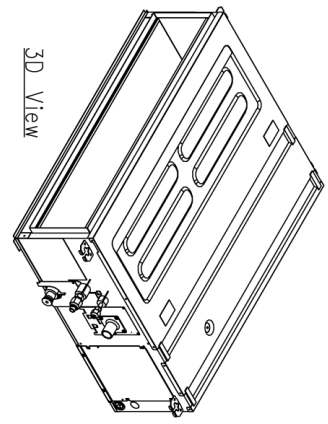
Tag No.: _____
 Date: _____
 PO No.: _____

[Unit: inch]



Symbols
 View Direction
 Datum line

Note
 1. Unit should be installed in compliance with the installation manual in the product box.
 2. Unit should be grounded in accordance with the local regulations or applicable national codes.
 3. All electrical components and materials to be supplied from the site must comply with the local regulations or international codes.



9	Control Cover
8	Air Filters
7	Air Outlet
6	Air Inlet
5	Power Cable Hole
4	Remote and Communication Cable Hole
3	Drain pipe connection
2	Liquid pipe connection
1	Gas pipe connection
No.	Part Name